



NESSCAP

12V200AH

Valve-regulated lead-acid battery

Characteristics

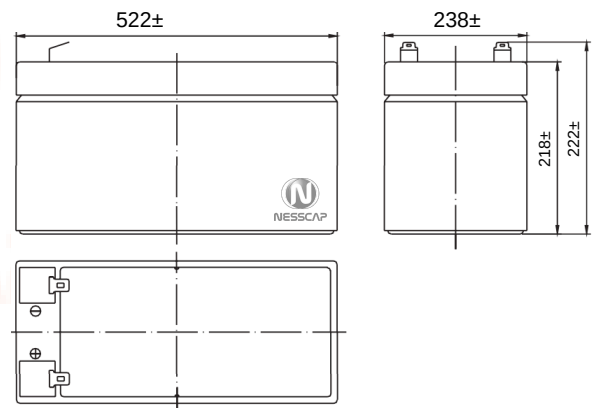
Model		12V200AH
Capacity(Ah)		C10=200AH
Dimensions (MM) L*W*H (TH)	Length	522
	Width	238
	Height	218
	Total Height	222
UNIT WEIGHT (KG)		59.5
PCS/CNT		1



Overview

Nesscap Pvt. Ltd. General Purpose series batteries are designed with state-of-the-art AGM (absorbent glass mat) technology, high-performance plates and electrolyte. With excellent value and characteristics, this range is suitable for all general purpose application.

Dimensions & Terminal Type(mm)



Construction

Component	+ve Plate	-ve Plate	Separator	Electrolyte	Safety Valve	Terminal
Raw Material	Lead dioxide	Lead	AGM	Sulfuric Acid	Rubber	Copper

The above characteristics represent average values and can be obtained within three charge and discharge cycles. The batteries must be fully charged before testing. The data in this document is subject to change without notice and become contractual only after written confirmation. Please contact NESSCAP Pvt. Ltd. for the latest available version.